

# 70-470 CT

**Ribbed Side Wall**  
**Matte Top**  
**Continuous Thread**  
**70mm Diameter**  
**470 Thread Profile**  
**Lined or Unlined**



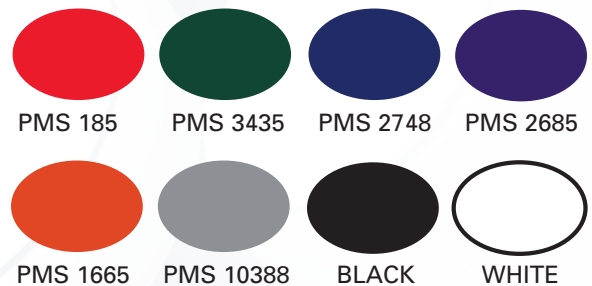
## OPTIONS

- Available in standard or custom colors
- Low minimum order quantities, safety stock program available
- High speed lining capabilities with a variety of lining materials including pressure sensitive and heat induction
- Round or tri-tab easy-open liners
- Lead time 2-3 weeks

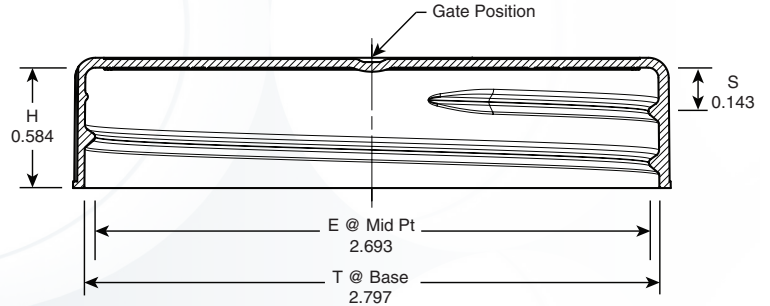
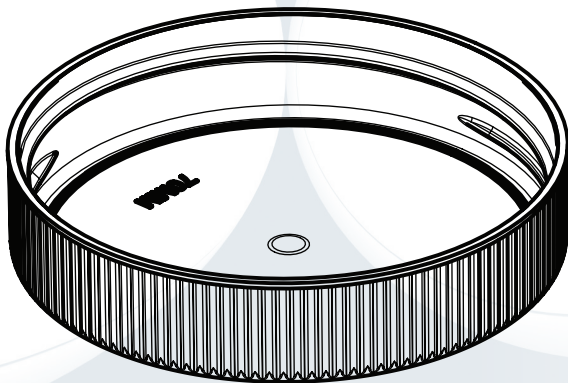
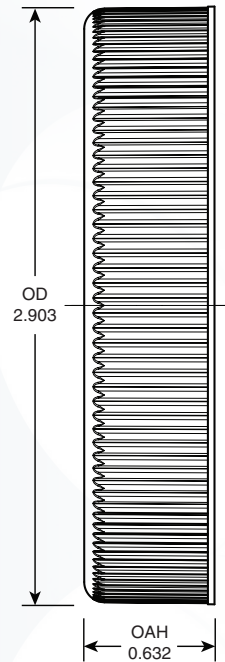
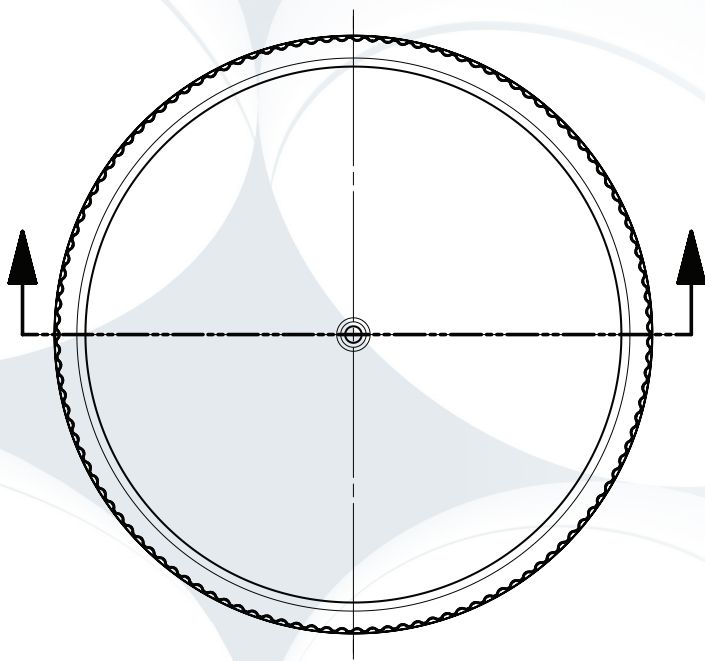
## SHIPPING INFORMATION


- Carton quantity: 820
- Carton packing: Tumble
- Pallet quantity: 24,600
- Truckload quantity: 738,000
- Carton weight (lbs): 18
- Pallet weight (lbs): 473
- Carton size: 24x16x14"
- Pallet size: 40x48x91"
- Freight class: 150

## STANDARD OR CUSTOM COLORS



# 70-470 CT



Inch tolerances (unless specified) General: +/- .010 "/>	 6020 West Ridge Road Erie, Pennsylvania 16506 (814) 838-7914 Fax (814) 838-7411	
Number of turns: 1.1875		
Pitch (TPI): 4	70-470 CT	
Material: PP	Erie Molded Plastics, Inc.	
This drawing is the exclusive property of Erie Molded Plastics, Inc. and may not be reproduced without the expressed written consent of Erie Molded Plastics, Inc.	Date: July 07, 2015	Sheet: 01 of 01